



TECHNICAL DATA

Temperature Range	-18° to -22°C
Dimensions	1350 x 700 x 850
Refrigerated Volume	240 L
Refrigeration System	Air Cooled Forced Ventilated System
Refrigerant	R404a (R290 Optional)
Insulation (50mm)	CFC free Cyclopentane
Defrost	Electric Hot gas
Voltage	220-240V 50-60Hz

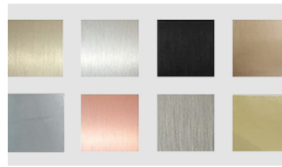
FEATURES

- Digital controller (IP55)
- Two sets of three stainless steel drawers
- Hygiene internal corners
- Interior & Exterior (front, top, & 2 sides) in AISI 304 S/S
- Legs

OPTIONS



- Locking kit
- Glass door



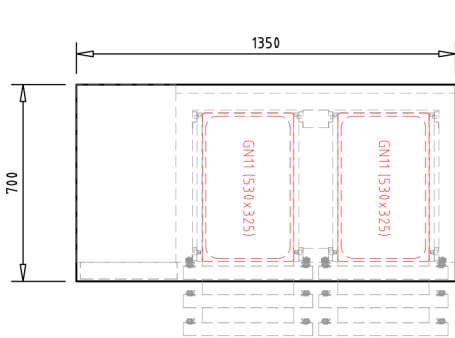
- Special finish | Grade 316
- Water cooled | Remote compressor



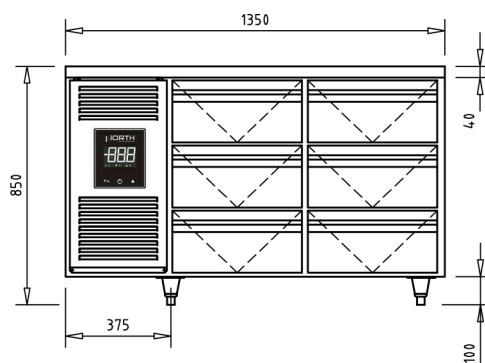
- Castors
- Worktop with backslash



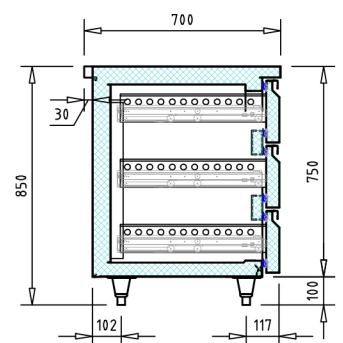
TECHNICAL DRAWINGS



Top view



Front view



Section view