

American Line



TECHNICAL DATA

Temperature Range	+2° to +8°C
Dimensions	1196 x 765 x 913 + 180
Refrigerated Volume	338 L
Refrigeration System	Air Cooled Forced Ventilated System
Refrigerant	R134a (R290 Optional)
Insulation (50mm)	CFC free Cyclopentane
Defrost	Electric Hot gas
Voltage	220-240V 50-60Hz

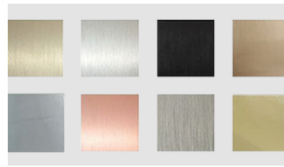
FEATURES

- Digital controller (IP55)
- Two 120° openable stainless steel doors
- One wire shelf per door
- Top Cutout for 14 x GN 1/6 Pans
- Hygiene internal corners
- Interior & Exterior (front, top, & 2 sides) in AISI 304 S/S
- Castors

OPTIONS



- Locking kit
- Water cooled | Remote compressor



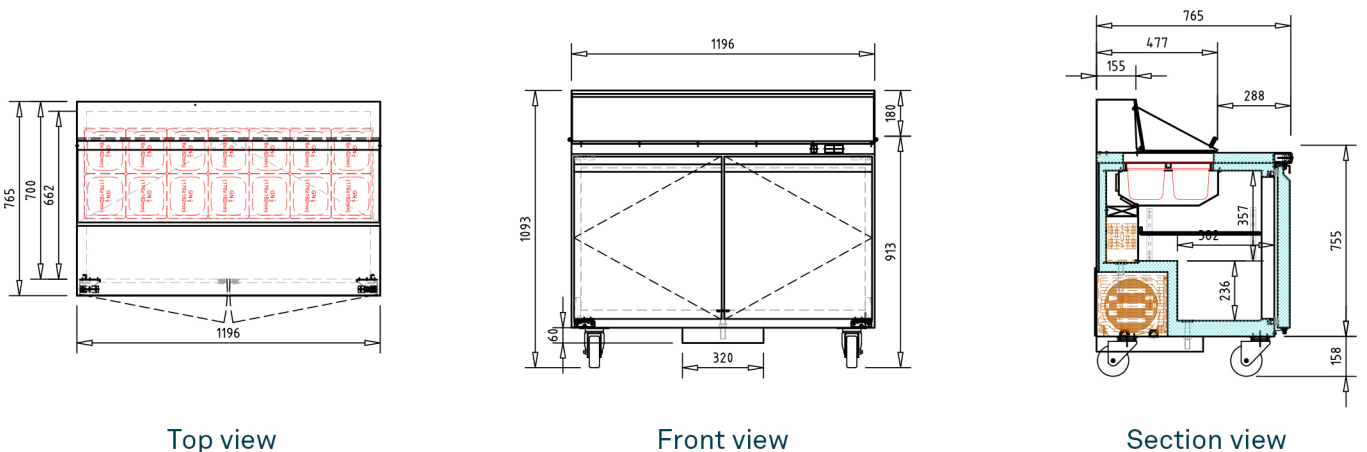
- Special finish | Grade 316



- Legs



TECHNICAL DRAWINGS



Top view

Front view

Section view