

American Line



TECHNICAL DATA

Temperature Range	-18° to -22°C
Dimensions	685 x 750 x 895
Refrigerated Volume	177 L
Refrigeration System	Air Cooled Forced Ventilated System
Refrigerant	R404a (R290 Optional)
Insulation (50mm)	CFC free Cyclopentane
Defrost	Electric Hot gas
Voltage	220-240V 50-60Hz

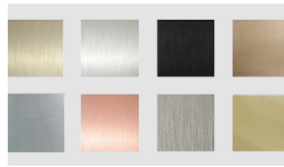
FEATURES

- Digital controller (IP55)
- 120° openable stainless steel door, right hinged
- One wire shelf per door
- Hygiene internal corners
- Interior & Exterior (front, top, & 2 sides) in AISI 304 S/S
- Castors

OPTIONS



- Locking kit
- Glass door



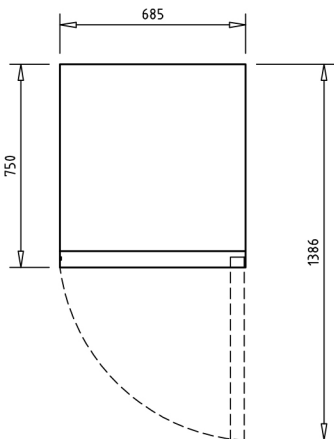
- Special finish | Grade 316
- Water cooled | Remote compressor



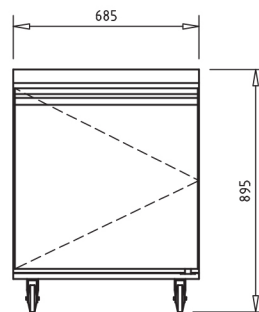
- Legs
- Worktop



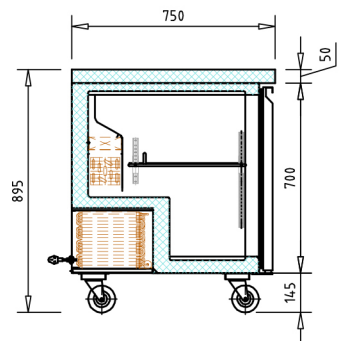
TECHNICAL DRAWINGS



Top view



Front view



Section view